

GHBFN Horizontal Bi-Folding Unit

Bi-folding opening

Opening Direction	Item Name	Description	Door Width	Door Height	Door Thickness	Door Weight
 Bi-folding	GHBFN-(2~4)M	Soft-close	450-900	320~370	17~20	2.5 ~ 5.5 kg
	GHBFN-(3~7)M			370~420		2.5 ~ 6.5 kg

Features

- Patented mechanism controls door opening and closing softly and smoothly
- Designed to hold the door in closed and opened position
- Mounting plates (sold separately) suitable for 20 mm and 45 mm aluminium frames are available
- Passed 30,000 life cycle test

Notes

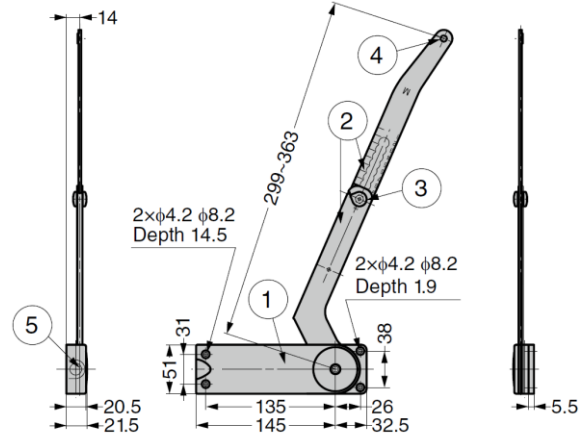
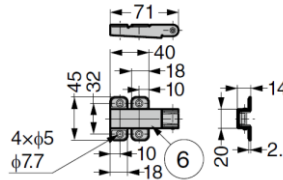
- Operating temperature: 5°C - 35°C
- 1 set of stays requires 1 set of mounting plates (sold separately)
- Hinges used for installing door to cabinet are not included
- Advisable to use concealed hinges (overlay type, opening angle 105°)
- Two offset hinges used for connecting upper door and lower door are included Order additionally if door width exceeds 600 mm
- For easy door opening, recommended to install the handle above the centre of the lower door mounting plate

Parts Included

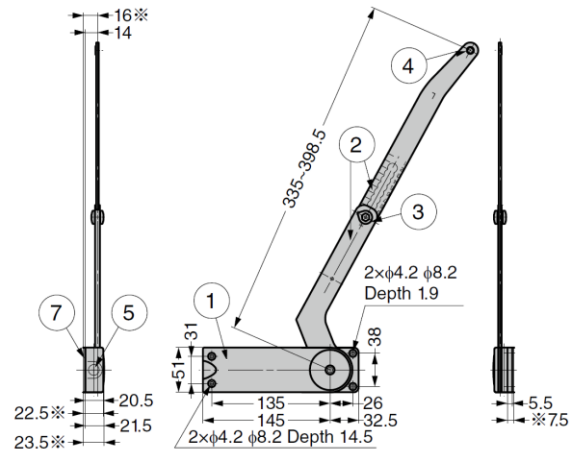
- Offset hinge **GHBFN-CH** (2 pcs)
- Binding head tapping screw 3.5×15

Sold Separately

- Mounting plates **GHBFN-SZ**, **GHBFN-AZ-S**



Arm Size M



※HBFN-5L, 6L and 7L supplied with reinforced plate.

Arm Size L

No.	Part Name	Material	Finish/Colour
①	Body	ABS	-
②	Arm	Steel (SPCC)	Nickel
③	Adjustment Dial	Zinc Alloy (ZDC)	
④	Sleeve	POM	Natural
⑤	Adjustment screw	Steel (SWCH)	Tin Cobalt Plating
⑥	Centre Hinge	Steel (SPCC)	Nickel
⑦	Reinforced Plate		

Offset Hinge - 2 pcs supplied

Part No.	Material	Finish
GHBFN-CH	Steel	Nickel

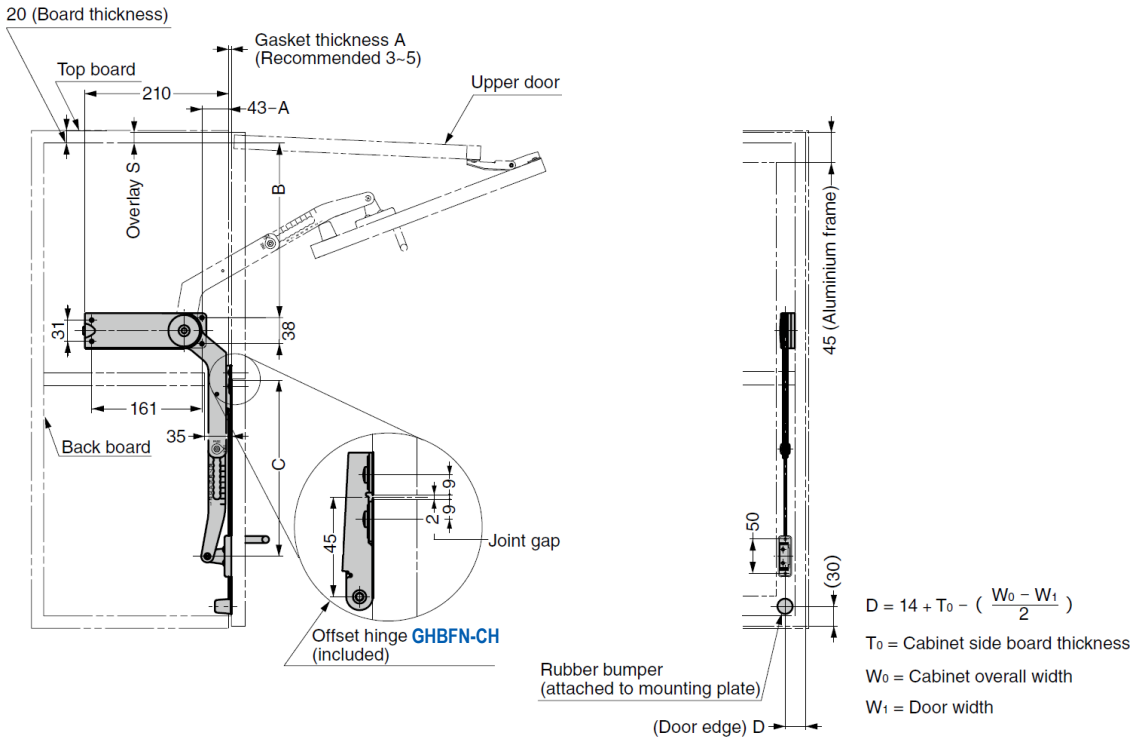
Body (1 pair) - values below are for 1 door (bi-fold door). 2 doors are necessary for 1 cabinet

Part No.	Arm Size	Door Width	Door Height	Door Thickness	Door Weight	Θ	L	t
GHBFN-2M	M	450 ~ 900	320 ~ 370	17 ~ 20	2.5 ~ 3.5 kg	171°	299 ~ 363	14
GHBFN-3M					3.5 ~ 4.5 kg			
GHBFN-4M					4.5 ~ 5.5 kg			
GHBFN-3L*	L	450 ~ 900	370 ~ 420	17 ~ 20	2.5 ~ 3.5 kg	169°	335 ~ 398.5	16
GHBFN-4L*					3.5 ~ 4.5 kg			
GHBFN-5L*					4.5 ~ 5.5 kg			
GHBFN-6L*					5.5 ~ 6.0 kg			
GHBFN-7L*					6.0 ~ 6.5 kg			

*Made-to-order

Installation

※Dimensions for door with gasket shown. Without gasket, shift main body installation position towards back panel side by gasket thickness A.



Installation Dimensions

Arm Size	Door Height	Upper Opening Angle 90°			Upper Opening Angle 105°		
		Arm Adjustment Position	B	C	Arm Adjustment Position	B	C
M	320	1	247-S	241	4	226-S	244
	330	2	252-S	244	5	234-S	250
	340	3	258-S	248	6	243-S	257
	350	4	263-S	251	7	251-S	263
	360	5	269-S	255	8	259-S	269
	370	6	274-S	258	9	267-S	275
L	370	1	289-S	269	4	291-S	295
	380	2	295-S	273	5	300-S	302
	390	3	300-S	276	6	308-S	308
	400	4	306-S	280	7	317-S	315
	410	5	313-S	285	8	327-S	323
	420	6	320-S	290	9	336-S	330

GHBFN-SZ/AZ-S Arm Mounting Plate for GHBFN Unit

Features

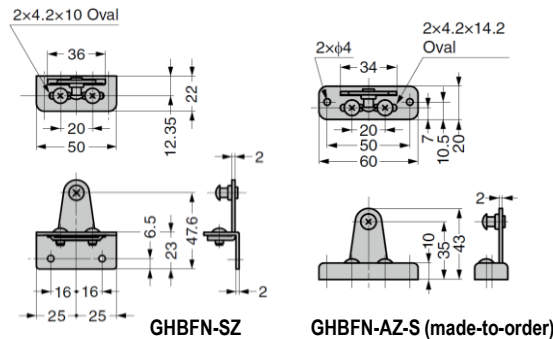
- For wooden and aluminium frame doors installation for **GHBFN** series

Notes

- Sold in pairs

Parts Included

- Truss head screw M4×6
- Countersunk head tapping screw 3.5×25



Part No.	Application	Material	Finish
GHBFN-SZ	For 45 mm or more aluminium frame / wooden door	Steel / Rubber	Nickel
GHBFN-AZ-S	For 20 mm aluminium frame door		